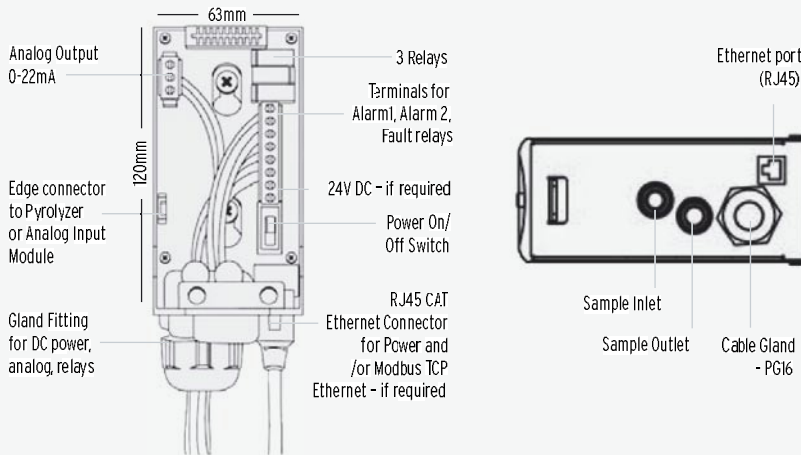


General Specifications



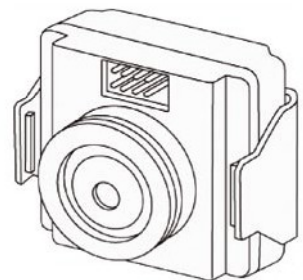
Electrical

All wiring permutations shown for example purposes



Detectable Gases

Gas Name	Chemical Formula	Range	Sensor Part Number
Ammonia	NH ₃	0 - 100 ppm	MIDAS-S-NH3
Arsine	AsH ₃	0 - 0.2 ppm	MIDAS-S-ASH
Boron Trichloride	BCl ₃	0 - 8.0 ppm	MIDAS-S-HCL
Boron Trifluoride	BF ₃	0 - 8.0 ppm	MIDAS-S-HFX
Boron Trifluoride (Low Level)	BF ₃	0 - 2.0 ppm	MIDAS-S-HFL
Bromine	Br ₂	0 - 0.4 ppm	MIDAS-S-BR2
Carbon Dioxide	CO ₂	0 - 2.0 % vol	MIDAS-S-CO2
Carbon Monoxide	CO	0 - 100 ppm	MIDAS-S-COX
Chlorine	Cl ₂	0 - 2.0 ppm	MIDAS-S-HAL
Chlorine Dioxide	ClO ₂	0 - 0.4 ppm	MIDAS-S-BR2
Chlorine Trifluoride	ClF ₃	0 - 0.4 ppm	MIDAS-S-SF4
Diborane	B ₂ H ₆	0 - 0.4 ppm	MIDAS-S-HYD
Dichlorosilane	H ₂ SiCl ₂	0 - 8.0 ppm	MIDAS-S-HCL
Diffuoromethane	CH ₂ F ₂	0 - 120 ppm	MIDAS-S-CFX
Disilane	Si ₂ H ₆	0 - 20 ppm	MIDAS-S-SHX
Fluorine	F ₂	0 - 4.0 ppm	MIDAS-S-HAL
Germane	GeH ₄	0 - 0.8 ppm	MIDAS-S-HYD
Hexafluorobutadiene	C ₄ F ₆	0 - 40 ppm	MIDAS-S-CFX
Hydrogen (% LEL)*	H ₂	0 - 100% LEL	MIDAS-S-LEL
Hydrogen (ppm)	H ₂	0 - 1000 ppm	MIDAS-S-H2X
Hydrogen Bromide	HBr	0 - 8.0 ppm	MIDAS-S-HCL
Hydrogen Chloride	HCl	0 - 8.0 ppm	MIDAS-S-HCL
Hydrogen Cyanide	HCN	0 - 20 ppm	MIDAS-S-HCN
Hydrogen Fluoride	HF	0 - 12 ppm	MIDAS-S-HFX
Hydrogen Fluoride (Low Level)	HF	0 - 2.0 ppm	MIDAS-S-HFL
Hydrogen Selenide	H ₂ Se	0 - 0.4 ppm	MIDAS-S-HSE
Hydrogen Sulfide	H ₂ S	0 - 40 ppm	MIDAS-S-H2S
Hydrogen Sulfide (High Level)	H ₂ S	0 - 100ppm	MIDAS-S-HSH
Methane (% LEL)*	CH ₄	0 - 100% LEL	MIDAS-S-LEL
Methyl Fluoride	CH ₃ F	0 - 60 ppm	MIDAS-S-CFX
Nitrogen Dioxide	NO ₂	0 - 12 ppm	MIDAS-S-NO2
Nitrogen Oxide	NO	0 - 100 ppm	MIDAS-S-NOX
Nitrogen Trifluoride	NF ₃	0 - 40 ppm	MIDAS-S-HFX
Octafluorocyclopentene	C ₅ F ₈	0 - 40 ppm	MIDAS-S-CFX
Oxygen Proficiency & Deficiency	O ₂	0 - 25% vol	MIDAS-S-O2X
Ozone	O ₃	0 - 0.4 ppm	MIDAS-S-O3X
Phosphine	PH ₃	0 - 1.2 ppm	MIDAS-S-PH3
Phosphorous Oxchloride	POCl ₃	0 - 0.4 ppm	MIDAS-S-POC
Silane	SiH ₄	0 - 20 ppm	MIDAS-S-SHX
Silane (low level)	SiH ₄	0 - 2.0 ppm	MIDAS-S-SHL
Sulfur Dioxide	SO ₂	0 - 8.0 ppm	MIDAS-S-SO2
Sulfur Hexafluoride	SF ₆	0 - 8000 ppm	MIDAS-S-CFX
Sulfur Tetrafluoride	SF ₄	0 - 0.4 ppm	MIDAS-S-SF4
Tetra Ethyl Ortho Silicate	TEOS	0 - 40 ppm	MIDAS-S-TEO
Tungsten Hexafluoride	WF ₆	0 - 12 ppm	MIDAS-S-HFX
Tungsten Hexafluoride (Low Level)	WF ₆	0 - 2.0 ppm	MIDAS-S-HFL



For standard 1 year sensor warranty use the order part number format MIDAS-S-XXX; for extended 2 year warranty use the format MIDAS-E-XXX

* Midas® detectors are not ETL approved for monitoring in or sampling from classified areas above 25% LEL