

GMX300 Compact Weather Station

High quality, easy-to-use, integrated weather station

MaxiMet compact weather stations are designed to be simple to install, use and maintain. In addition to providing measured parameters, the products derive additional parameters and data is output as a single string and available on a range of communications protocols.

MaxiMet weather stations benefit from the same technology used in Gill's scientific product range, ensuring measurement accuracy, low maintenance and continuous status reporting.

The MaxiMet family includes a range of sensor configurations allowing customers to select the model most appropriate to their needs.

Typical applications

- Control systems including smart buildings, agriculture and industry.
- Solar farms.
- Road and rail.
- Ports and harbours.
- Reporting systems for transport and safety.
- Low power/solar powered deployments and IoT applications.

MaxiMet GMX300 key features

- Three measured parameters:
Temperature, humidity, pressure.
- Multiple additional derived parameters based on combining measured parameters, such as dew point, pressure at sea level and heat index.
- High quality, accurate, solid state sensors.

Benefits

- High quality measurement data due to careful sensor selection and extensive design testing and verification.
- Easy to set-up and integrate using comprehensive software to select the reported and derived parameters and measurement units required.
- Easy to install and long operational life, due to a compact, robust design and the selection of low maintenance sensors.
- Suitable for use with battery or solar systems in low power mode.



MaxiMet GMX300 measures 3 parameters.



MaxiMet compact weather stations are integrated into systems monitoring gas and particulate concentrations in the air.

GMX300 Compact Weather Station

High quality, easy-to-use, integrated weather station

AIR TEMPERATURE

Range	-35°C to +70°C
Accuracy	±0.3°C
Resolution	0.1°C
Units of measurement	°C, °F, K

RELATIVE HUMIDITY

Range	0-100% RH
Accuracy	typically ±2% RH across full range
Resolution	0.1% RH
Units of measurement	% RH, g/m ³

BAROMETRIC PRESSURE

Range	300-1250 hPa
Accuracy	Absolute (typically) ±0.4 hPa 900-1100 hPa, 25-40°C Relative (typically) ±0.08 hPa
Resolution	0.1 hPa
Units of measurement	hPa, mbar, mmHg, inHg

WARRANTY

Warranty	24 months
----------	-----------

OUTPUTS

Digital comms modes	RS232, RS422 RS485, SDI-12,
Protocols	ASCII, SDI-12 v1.3, NMEA 0183 MODBUS (RTU and ASCII)
Data outputs rates	1/s, 1/min, 1/hour, or polled

POWER SUPPLY

Input voltage	5-30 VDC
Average current consumption @ 12 VDC	5 mA continuous mode (std unit) 1.3 mA eco-power mode (1/hr)

MECHANICAL

Construction	UV stabilized thermoplastic
Fittings	Fit to 44.45 mm (1.75 in) pole or mast
Weight	0.5 kg
Connector type	9-way clipper connector

ENVIRONMENTAL

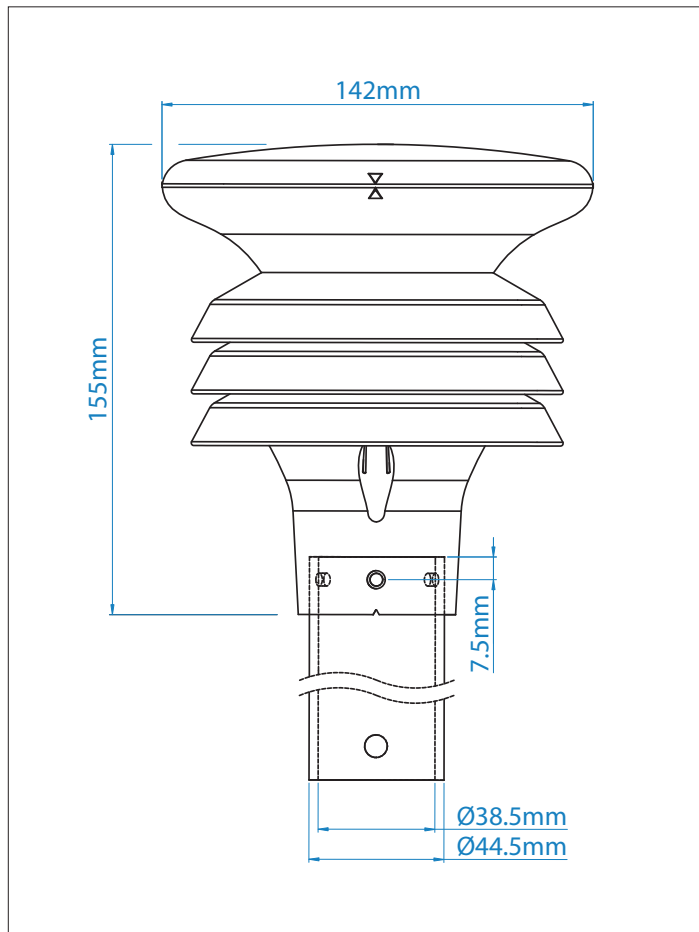
Protection class	IP66
Operating temp.	-35°C to +70°C
Storage temp	-40°C to +70°C

STANDARD EQUIPMENT (supplied with product)

MaxiMet product
Mating connector
MetSet software*, to set-up and configure MaxiMet (comms mode, measurement units, reporting intervals, derived parameters, etc.)
MetView software*, to view reported parameters
MaxiMet User Manual*
* downloadable from Gill Instruments website

GMX300 Compact Weather Station

High quality, easy-to-use, integrated weather station



EXAMPLE DERIVED PARAMETERS FOR MAXIMET RANGE (model dependent)

A full list of derived parameters is available in the User Manual, downloadable from gillinstruments.com

Average wind speed *	Sunrise
Average wind direction *	Solar noon
Corrected wind speed	Twilight
Corrected wind direction	Sunset
Gust wind speed & direction *	Position of sun
Dew point	Angle of tilt
Wind chill	Pressure at sea level
Absolute humidity	Heat index

* WMO compliant

ACCESSORIES

A list of the accessories available to support MaxiMet is provided on the MaxiMet Accessories Datasheet, which can be downloaded from gillinstruments.com

MaxiMet® Compact Weather Stations Accessories Datasheet

MaxiMet weather stations are supported by a range of accessories. These accessories can be used to connect, install and maintain MaxiMet. The accessories have been designed or selected to ensure the long term performance of MaxiMet products.

Accessories	Part Number
MaxiMet weather station	GMX300
MaxiMet weather station	GMX200
MaxiMet weather station	GMX240
MaxiMet weather station	GMX260
MaxiMet weather station	GMX301
MaxiMet weather station	GMX400
MaxiMet weather station	GMX500
MaxiMet weather station	GMX501
MaxiMet weather station	GMX550
MaxiMet weather station	GMX551
MaxiMet weather station	GMX560
MaxiMet weather station	GMX600

Accessory Descriptions

- Connector (1957-005-000)**
A replacement connector is available. Equipped. The connector is compatible with all MaxiMet models and is supplied with gels.
- Cable for operational use**
The 4-pin cable can be used to connect MaxiMet to power and communication. The cable can be applied to a 4-pin cable with pins Pinout 1 (GND), 2 (VCC), 3 (RS485+) and 4 (RS485-).
- Cable for setup configuration (1957-10065)**
This cable is used to connect MaxiMet to a PC or laptop on a computer. Using MaxiMet, the setup of the MaxiMet unit can be configured to meet specific requirements. The cable is 1.5m long and is supplied with a MaxiMet connector on one end and a USB connector on the other end.

gillinstruments.com
© Gill Instruments Limited



OTHER MAXIMET MODELS

	Wind	Temperature, humidity, pressure	Rain	Solar	Compass, GPS	Low power heating
GMX200	Y				Y, as option	
GMX240	Y		Integrated optical rain sensor		Y, as option	
GMX260	Y				Y 6-axis, option	
GMX301		Y		Y		
GMX400		Y	Integrated optical rain sensor			
GMX500	Y	Y			Y, as option	Option
GMX501	Y	Y		Y	Y, as option	Option
GMX550	Y	Y	Tipping bucket connector		Y, as option	Option
GMX551	Y	Y	Tipping bucket connector	Y	Y, as option	Option
GMX560	Y	Y	Integrated optical rain sensor		Y 6-axis, option	Option
GMX600	Y	Y	Integrated optical rain sensor		Y, as option	Option

For more information about MaxiMet®, please contact Gill Instruments.

Designed and manufactured in the UK by Gill Instruments Limited.